

PRODUCT INFORMATION PACKET

Model No: 5KH33KN20S

Catalog No: H277

1/4 HP General Purpose Farm Duty Motor, 1 phase, 1800 RPM, 230 V, 48 Frame, TENV
Single Phase Farm Duty Motors





Nameplate Specifications

Output HP	0.25 Hp	Output KW	0.19 kW
Frequency	60 Hz	Voltage	230 V
Current	2.3 A	Speed	1725 rpm
Service Factor	1	Phase	1
Efficiency	60 %	Power Factor	0
Duty	Continuous	Insulation Class	B
KVA Code	P	Frame	48
Enclosure	Totally Enclosed Non Ventilated	Thermal Protection	AUTO
Ambient Temperature	40 °C	Drive End Bearing Size	6203
Opp Drive End Bearing Size	6203	UL	Recognized
CSA	Yes	CE	N

Technical Specifications

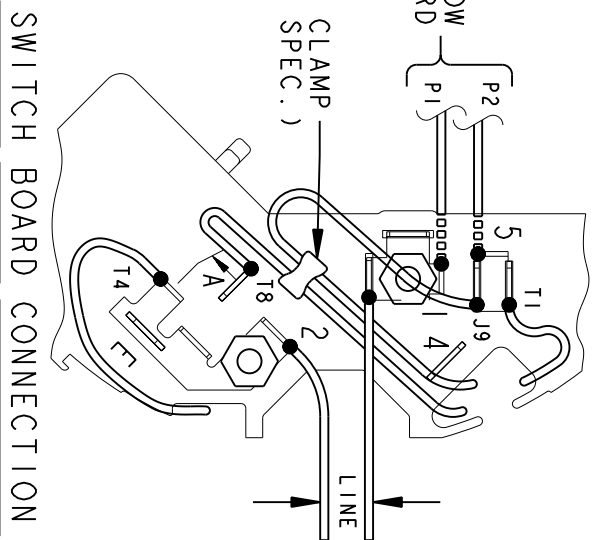
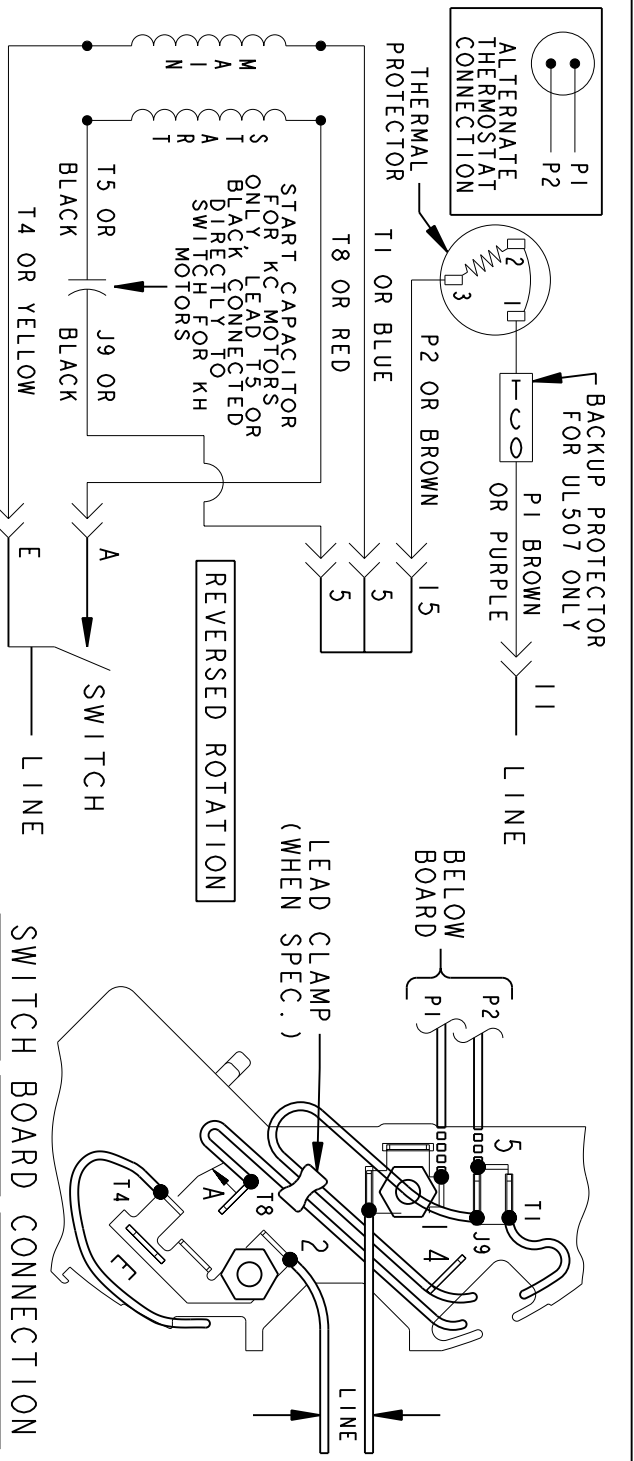
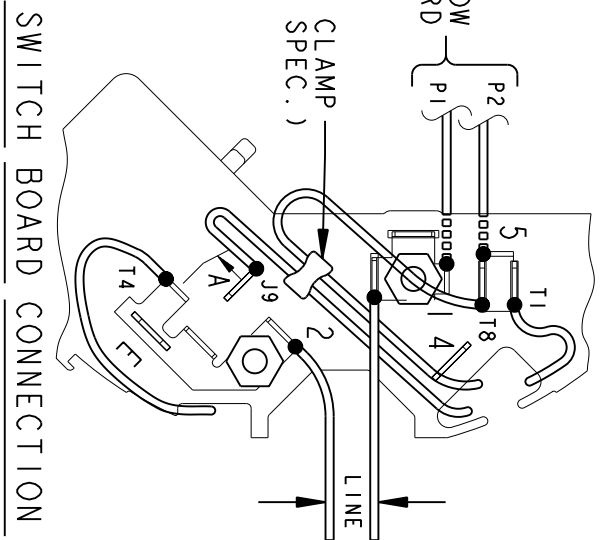
Electrical Type	Split Phase	Starting Method	SM
Poles	4	Rotation	Counterclockwise/Clockwise
Mounting	Resilient Base	Motor Orientation	ANY
Drive End Bearing	BALL	Opp Drive End Bearing	Ball
Frame Material	Rolled Steel	Overall Length	9.19 in
Frame Length	5.41 in	Shaft Diameter	0.500 in
Shaft Extension	1.5 in		
Outline Drawing	52A101954P2	Connection Drawing	52A105379AA

This is an uncontrolled document once printed or downloaded and is subject to change without notice. Date Created:03/11/2020



REV.	DESCRIPTION	DATE	APPROVED
6	UPDATED FORMAT	12/01/05	MAM

EITHER ROTATION-SINGLE VOLTAGE-TYPE KC OR KH-WITH THERMAL PROTECTOR



NOTE #1 - TO REVERSE ROTATION INTERCHANGE RED (T8) AND BLACK (J9-KC OR T5-KH) LEADS.
 NOTE #2 - WHEN MORE THAN ONE CAPACITOR IS USED CONNECT IN PARALLEL.

SWITCH (C) - 115D958AB REF. DIAG. - 121A851 CONN. LABEL - 52X332048

SIGNATURES	DATE
MODEL M.D.PAPE	06/29/87
DETAIL	
CHECKED	
ENGRG	
MFG	
QUALITY	
ISSUED	M.D.P. 03/08/00
SOLID MODEL: 52A105379AA	

REGAL-BELOIT CORPORATION

REGAL-BELOIT

CONNECTION DIAGRAM

FMF - 30 FR SWITCH REDESIGN

52A105379AA

SCALE: 1.000 REF. No.: SHEET 1 of 1